

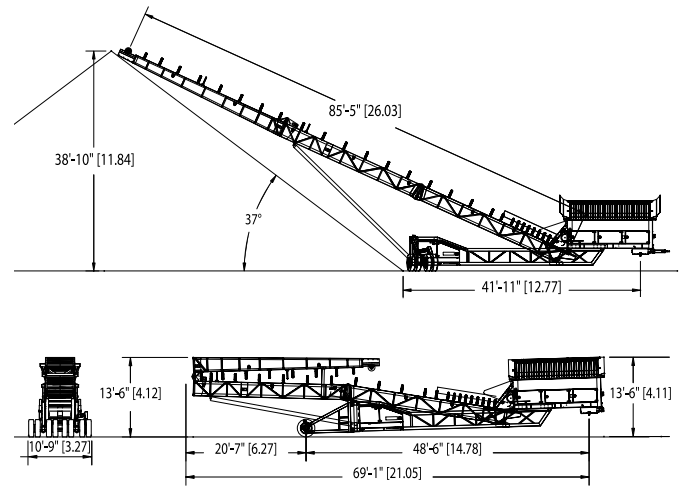
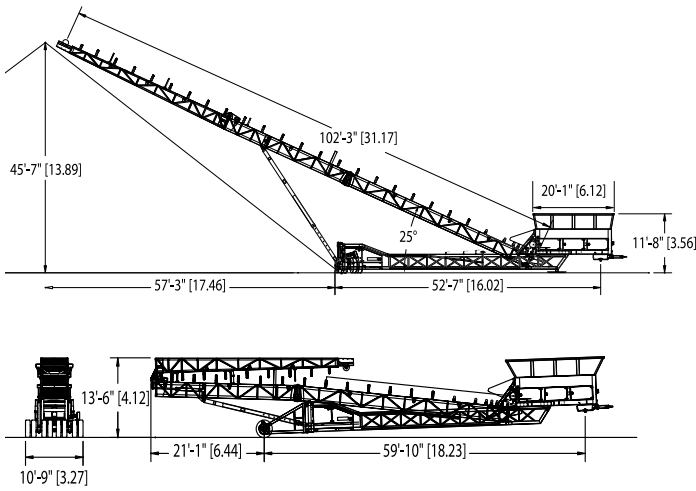
**Proven
Performance**

www.mccloskeyinternational.com

McCloskey
INTERNATIONAL

FEEDER STACKER





100' Feeder Stacker Dimensions & Weight

Transport Length (85' model):	81'-1" (69'-1")
Overhang (85' model):	21'-1" (20'-7")
Transport Height:	13'-6"
Transport Width:	10'-9"
Estimated Weight (85' model):	50,500 lbs (40,500 lbs)

McCloskey Feeder Stackers are designed to allow customers to efficiently stockpile bulk materials that would bridge and block conventional stackers. Deployed in applications such as large wood waste, bark, compost and topsoil, the Feeder Stacker can be directly fed via large loaders and excavators. The dedicated feeder unit meters material onto the matched main belt, doing the job that previously required a separate feeder and stacker unit.

The McCloskey Feeder Stacker hydraulically folds and travels as one unit, taking only minutes to set up and tear down.

Need to screen and stockpile? Order the Feeder Stacker with a 12' x 7' single or double deck vibrating grid to screen your material and stockpile to over 45' with one machine.

Options & Features

- Hydraulic Landing Gear
- Hydraulic Wheel Drive
- 127HP CAT C4.4 Engine
- 48" Chevron feed & main belt
- Hydraulic Top Fold
- Remote stop, start and reverse on feeder
- 13.5 cubic yard hopper
- Option of open hopper, hydraulic tipping grid or vibrating grid
- Optional secondary air-ride axle
- Aggregate duty & wood waste/compost duty options

McCloskey International reserves the right to make changes to the information and design of the machines on this brochure without reservation and notification to the user. McCloskey International assumes no liability resulting from errors or omissions in this document.

N.America & S.America

#1 McCloskey Road, RR#7
 Peterborough, Ontario Canada, K9J 6X8
Toll Free 1-877-876 6635 **T** (705) 295-4925 **F** (705) 295-4777
mccloskey@mccloskeyinternational.com

UK & International

47 Moor Road,
 Coalisand, Co Tyrone, N.Ireland BT71 4QB
T +44 (0) 2887-740-926 **F** +44 (0) 2887-747-242
salesuk@mccloskeyinternational.com

